

Discover Innovation

eMMC Socket Adapter

NEW!

Different eMMCs

Probe

Socket

PCB Adapter

PCBA

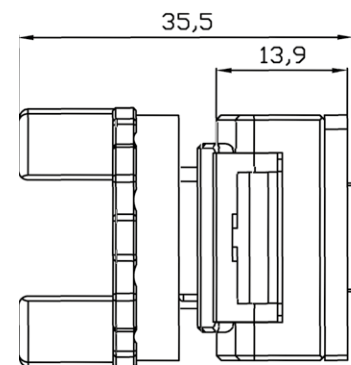
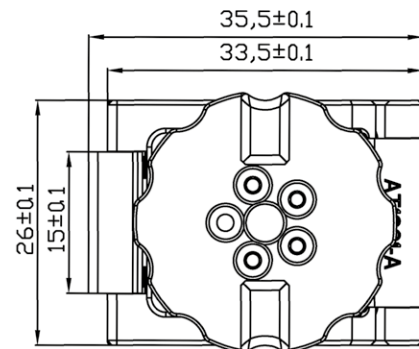
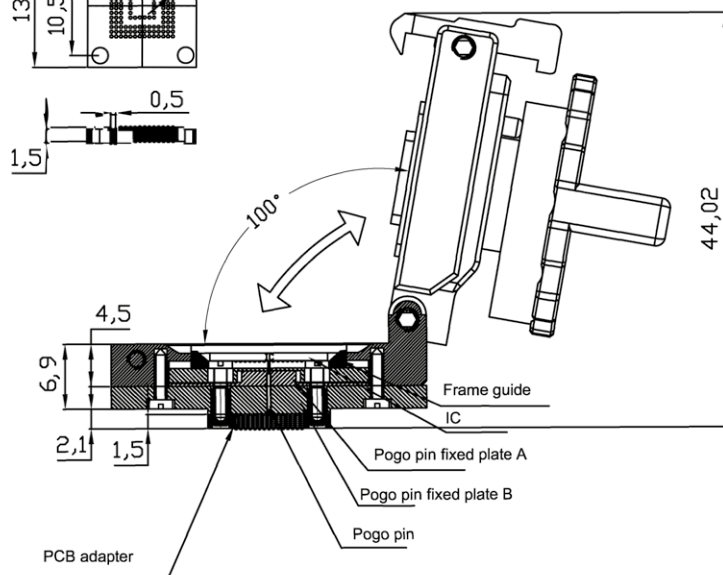
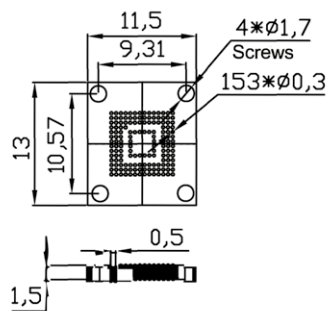
Evaluate and qualify multiple eMMCs without expensive HW modifications!
Just exchange the memory component in the eMMC socket -
this can be easily done in the lab without complicated tools.
No need to employ time-consuming resolder or even new board builds.

Qualify multiple eMMCs from several vendors to be flexible in the sourcing process.

- eMMC BGA 153 (11,5 x 13 mm) - socket for Lab usage and evaluation
- Operational temperature range -40°C ~ +120°C
- Fitting up to eMMC 5.1 (populated with 46 Pogo Pins)
- Fitting all eMMC in BGA 153 11,5 x 13 mm package

Dimensions

PCB PATTERN (TOP VIEW)



Pogo Pin Specifications (Approximate Average Values)

Mechanical Specifications	Spring Force at Operating Travel	21gf (0.74oz.)@0.45mm(0.0177inch) Travel
	Operating Temperature	-40 to 120°C
	Life Span at Operating Travel	100K Cycles
Electrical Specifications	Current Rating (Continuous)	1.5A
	Self Inductance	0.87nH
	Bandwidth @-1dB	11.1GHz
	DC Resistance	48mohm@0.45mm(0.0177inch) Travel
Material and Finishes	Top Plunger	Hardened BeCu/Au Alloy Plated
	Bottom Plunger	Hardened BeCu/Au Plated
	Barrel	Au Clad
	Spring	Music Wire/Au Plated